



Intelligent Pen Tray User Manual

(Standard Version)

QPT100

The Best Choice for Your Perfect Presentation!

Information in this manual is subject to change without notice.

Intelligent Pen Tray Introduction

Intelligent Pen Tray, a brand-new QOMO product, is easy and convenient to operate in conjunction with interactive whiteboard and QOMO Flow! Works Pro software.

The pen tray comes with four pens (black, red, green and blue), one eraser and one pointer which perform the same functions respectively as pen, objects eraser and laser pen when they are being used with Flow! Works Pro. And the four pens, eraser and pointer are placed in their designated slots on the pen tray. Note that the color of pen matches that of its holder.

Functions on the pen tray have their own priorities with pen function being the highest priority, eraser and pointer being next. As for pens, the black pen has priority over red pen, followed by green and blue pens (black» red» green» blue).

Notes

- The color recognition comes from the optical sensor in the pen tray slots and not from the pens themselves.
- Dropping or knocking the pen tray can cause damage to the inner components.
- Wipe the pen slots with a dry cloth regularly.
- Prevent liquids from contacting the pen tray.
- Keep the pen tray dry. Do not use harsh chemicals, strong detergents or water to clean it.
- Keep the pen tray away from fire and electric shock and avoid long term exposure to direct sunlight.
- Use the pen tray where the ambient temperature is between 0°C and 40°C.
- Store the pen tray where the temperature is between -20°C and 80°C.
- Make sure the pen tray only works in conjunction with QOMO Flow! Works Pro in

case of mismatching.

- Don't disassemble the pen tray for repair by yourself. Please contact the technicians if there's any damage.

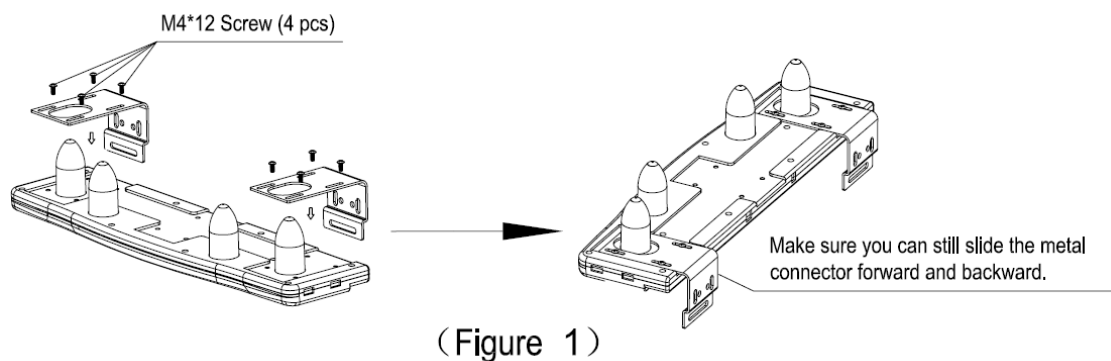
Intelligent Pen Tray Installation

■ Installation on whiteboard with QWB800 Series

Note: Please install the pen tray on the whiteboard before mounting the whiteboard onto the wall or to a stand.

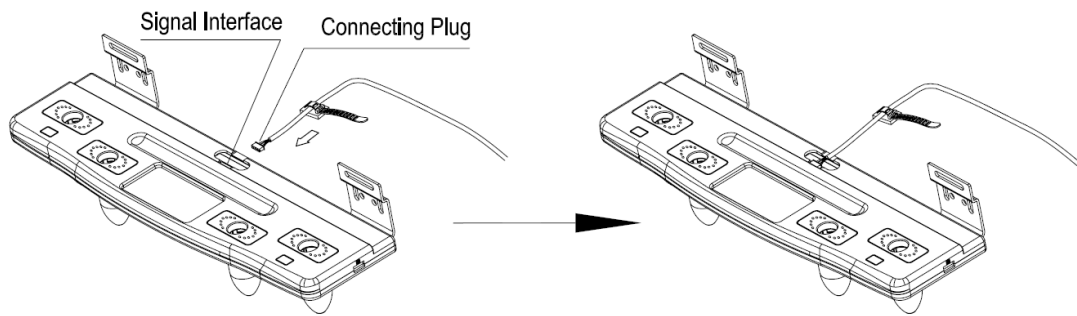
Step 1: Install metal connector

Mount a metal connector on the left-most and right-most concave plane at the back of pen tray, respectively. Insert and loosely fasten the screws (so that you can still slide the metal connector forward and backward), as shown in Figure 1.



Step 2: Connect the cable

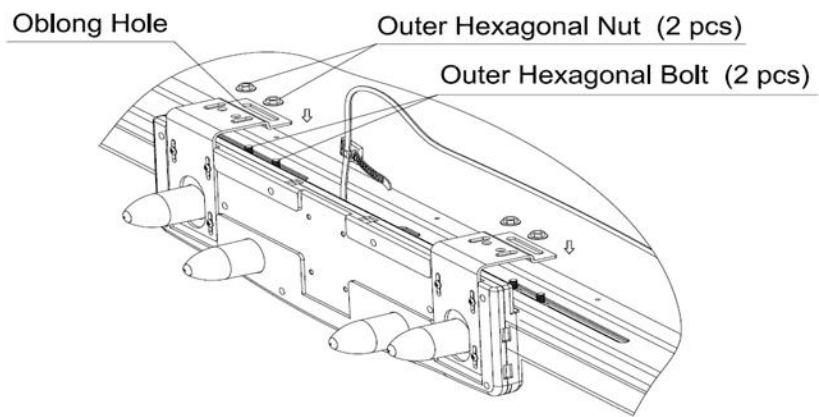
Insert the connecting plug reserved at the back of whiteboard to the signal interface on the pen tray, as shown in Figure 2. Note: Don't pull the cable violently.



(Figure 2)

Step 3: Attach the pen tray to the whiteboard

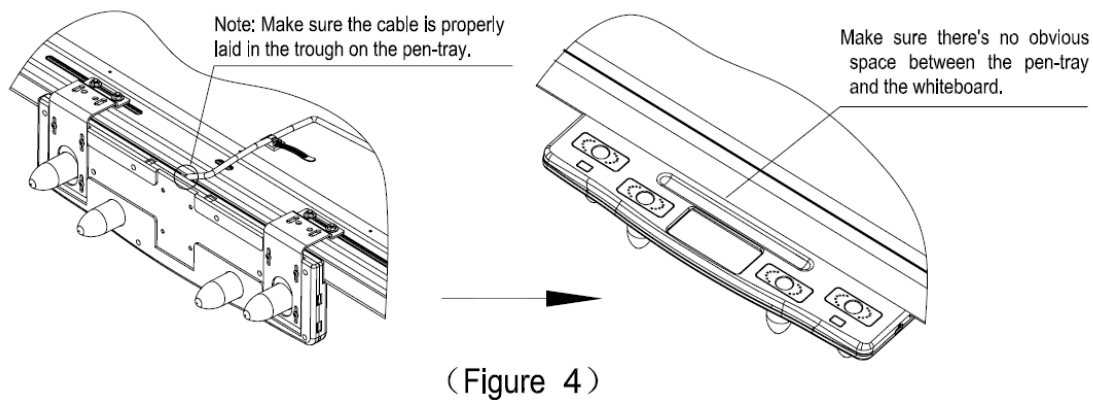
Attach the pen tray to the whiteboard, aligning the oblong hole on the metal connector with bolts on the whiteboard. Then loosely fasten the nuts, as shown in Figure 3.



(Figure 3)

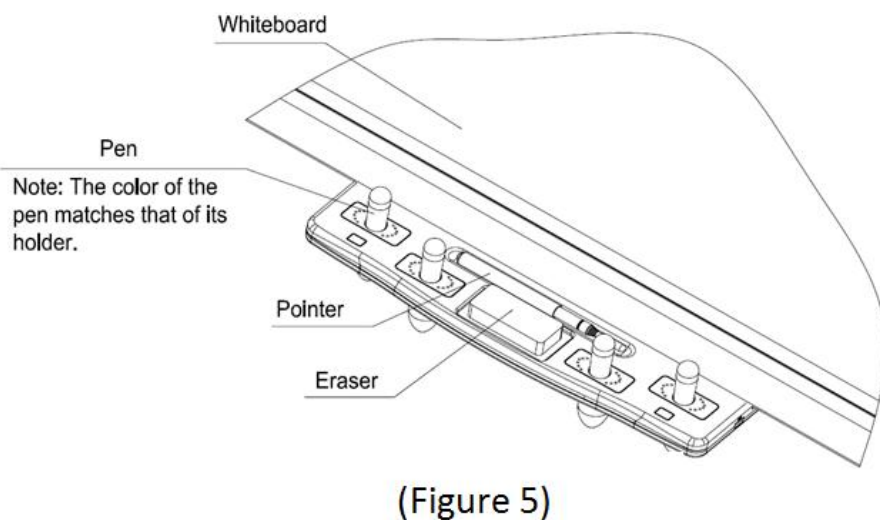
Step 4: Adjust

Adjust the pen tray horizontally to the middle of the whiteboard frame. Lift it up to make it seamlessly attached to the whiteboard frame and then firmly tighten all the screws and nuts, as shown in Figure 4.



Step 5: Add accessories

Add the accessories (pointer, eraser and four color-coded pens) into their designated places on the pen tray finally, as shown in Figure 5.

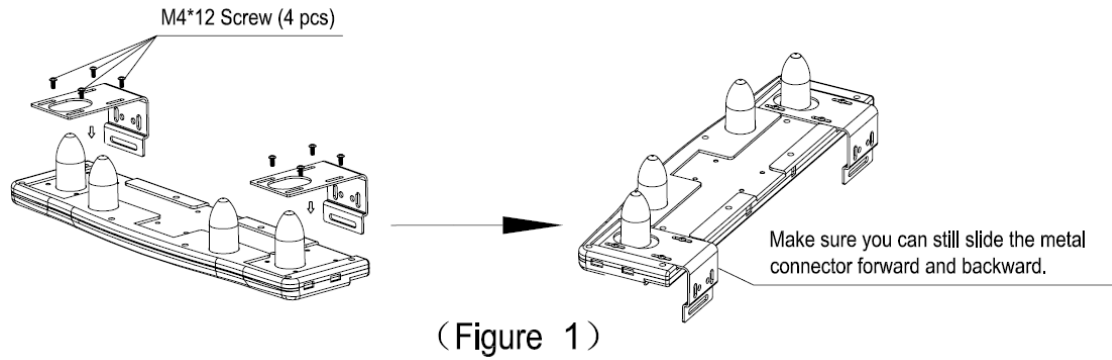


■ Installation on whiteboard with QWB300 Series

Note: Please install the pen tray on the whiteboard before mounting the whiteboard onto the wall or to a stand.

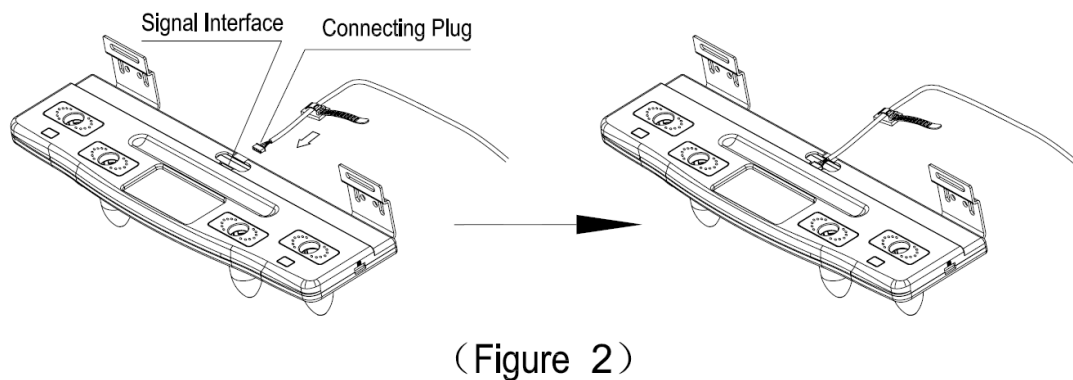
Step 1: Install metal connector

Mount a metal connector on the left-most and right-most concave plane at the back of pen tray, respectively. Insert and loosely fasten the screws (so that you can still slide the metal connector forward and backward), as shown in Figure 1.



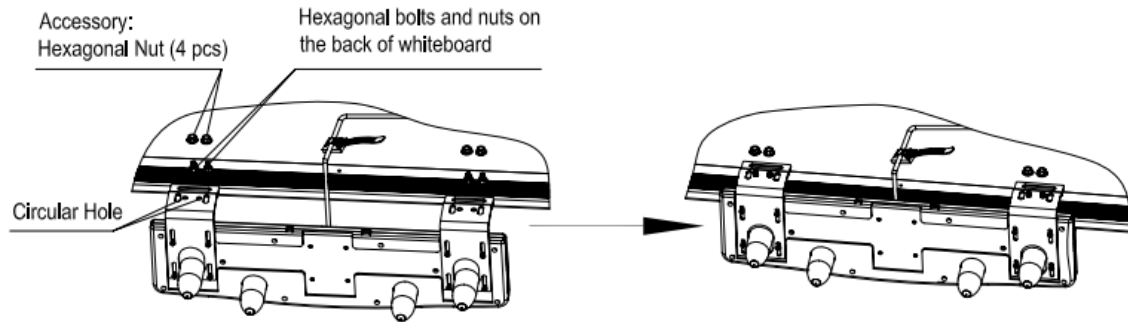
Step 2: Connect the cable

Insert the connecting plug reserved at the back of whiteboard to the signal interface on the pen tray, as shown in Figure 2. Note: Don't pull the cable violently.



Step 3: Attach the pen tray to the whiteboard

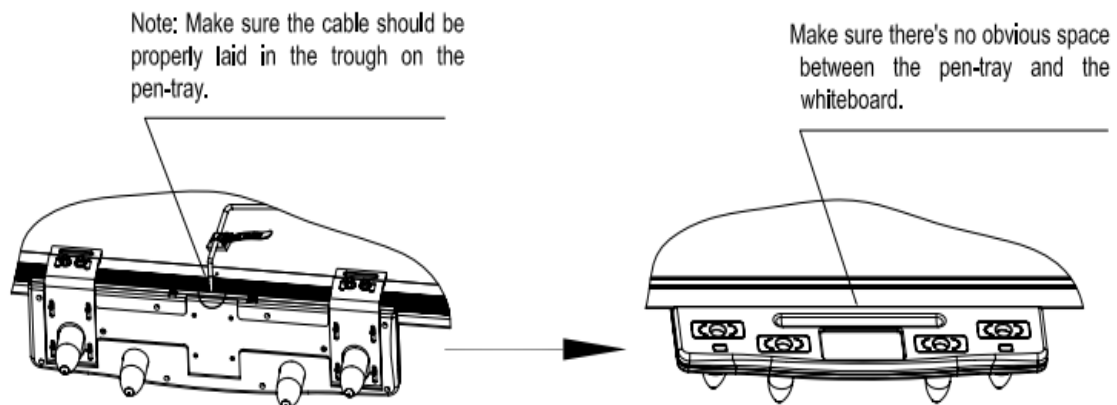
Attach the pen tray to the whiteboard with the four bolts on the back of the whiteboard passing through the circular holes in the metal connectors, as shown in Figure 3. Loosen the nuts to adjust their corresponding bolts then tighten them to secure the desired position of the bolts. Don't loosen the nuts all the way, but just enough to slide the bolts.



(Figure 3)

Step 4: Adjust

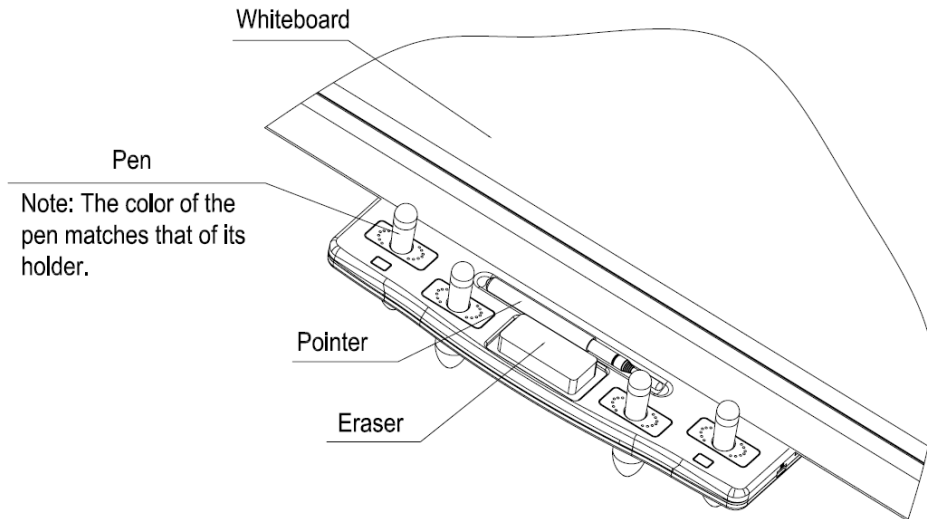
Push the pen tray upward to make its rung seamlessly attached to the bottom of the whiteboard frame and then firmly tighten the screws installed loosely in Step 1. Screw the included 4 hexagonal nuts (Accessory as shown in Figure 3) onto the bolts to finally secure the pen tray, as shown in Figure 4.



(Figure 4)

Step 5: Add accessories

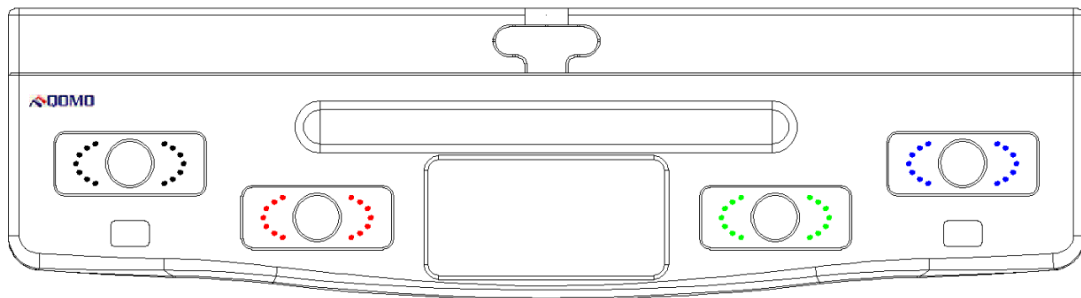
Add the accessories (pointer, eraser and four color-coded pens) into their designated places on the pen tray finally, as shown in Figure 5.



(Figure 5)

Function Description

The pen tray comes with four pens, one eraser and one pointer which perform the same functions respectively as pen, object eraser and laser pen when they are interacted with Flow! Works Pro. Specific functions as follows:



Pen tray	Four pens	Black and red pens are in the pen tray for the left side and the green and blue pens are in the pen tray for the right side.
	Eraser	Function as an object eraser.
	Pointer	Function as a laser pen.

Intelligent Pen Tray contains three modes: writing (pen) mode, eraser mode and pointer mode.

1. Writing (Pen) Mode

- Picking up any one of the four pens from the pen tray will simultaneously invoke the pen tool of Flow! Works Pro and then enters the writing mode.
- When you pick up one of color-coded pens from the pen tray, you can write with that corresponding color ink.
- If you pick up more than one pen, Flow! Works Pro will default to the pen picked up at first. E.g.: if you pick up the red pen first and black pen next, Flow! Works Pro will default to red pen even the black pen has the priority over red pen.
- Only one signal will be detected by Flow! Works Pro at a time. E.g.: when you pick up red pen, green pen and black pen in turn, Flow! Works Pro will default to red pen no matter what color pen you use. When you put the red pen into its designated slot, black pen will take priority over green pen as priorities mentioned in Intelligent Pen Tray Introduction.

2. Eraser Mode

- If the eraser is removed from the pen tray, Flow! Works Pro will simultaneously invoke object eraser that erases pen objects, texts, images, audio and video and then enters the eraser mode.
- It will exit eraser mode after eraser being returned to its designated slot on the pen tray.

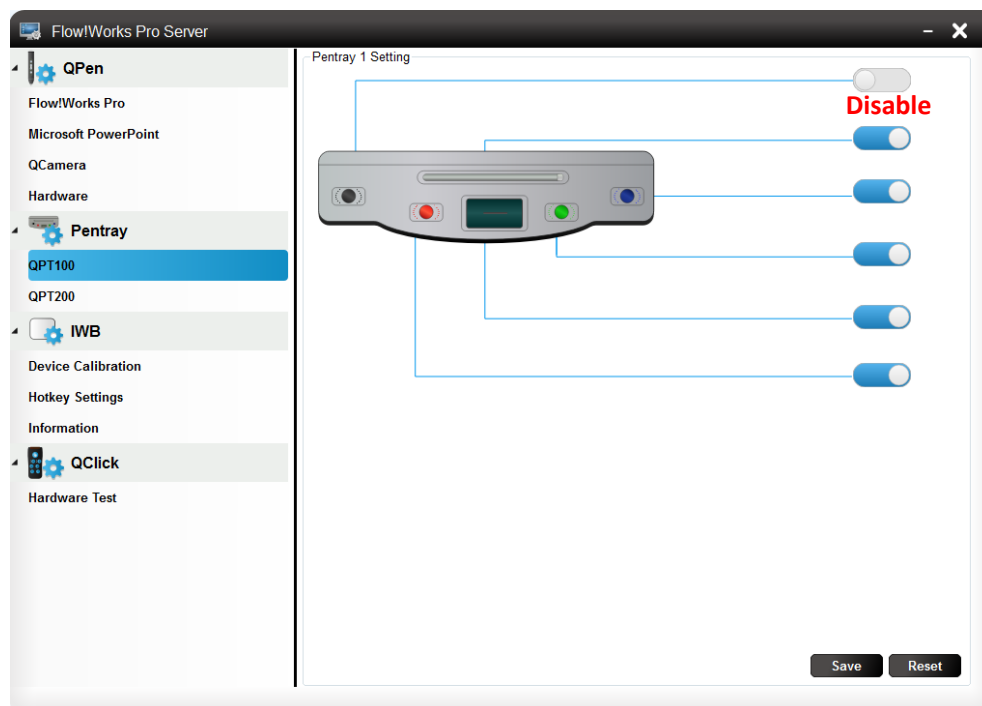
3. Pointer Mode

- If the pointer is removed from the pen tray, Flow! Works Pro will simultaneously invoke laser pen and then enters the pointer mode.
- It will exit pointer mode after pointer being returned to its designated slot on the pen tray.

4. Priority

According to priorities mentioned in Intelligent Pen Tray Introduction, Flow! Works Pro will invoke the one (**pen**» **eraser**» **pointer**) with the highest priority when multi-modes being implemented concurrently, i. e. when the pen, eraser and pointer are removed from the pen tray simultaneously, Flow! Works Pro will default to invoke pen function no matter what tools you use. When you put the pen into its designated slot, eraser will take priority over pointer, and so forth.

Note: You can enter Flow!Works Pro Server-Pentray-QPT100 to disable corresponding function.



Specification

Model	QPT100
Operating Voltage	3.3 V
Operating Current	20 mA
Power Supply Mode	Powered by whiteboard
Communication Mode	Inter-integrated Circuit (IIC)
Operating Temperature	0~+40°C
Storage Temperature	-20°C~+80°C
Induction Way	Infrared +Magnetic Induction
Interactive Software	Flow! Works Pro
Accessories	Pen*4, eraser*1, pointer*1
Dimension	500 mm*135 mm*85 mm